



## G3 PRIMO CAPPUCCINO DISPENSING SYSTEMS

MODELS: PCGT3, PCGT4, PCGT5, PCGT6

AVAILABLE IN MODELS WITH DUAL VOLTAGE & LIFT DOOR (SEE PAGE 3)



### PCGT3

3 Station Dispenser  
(One 5 lb and Two 10 lb Hoppers)



### PCGT4

4 Station Dispenser  
(Two 5 lb and Two 10 lb Hoppers)



### PCGT5

5 Station Dispenser  
(Three 5 lb and Two 10 lb Hoppers)



### PCGT6

6 Station Dispenser  
(Two 3 lb, Three 5 lb and One 10 lb Hopper)

### FEATURES AT A GLANCE

- **G3 Digital Control Module** – Provides precise control over all critical blending and dispensing functions.
- **Pre-Dispense or Portion Control**
- **Irradiant LCD Digital Display** – Extra bright and easy to see.
- **Scroll-Through Precision Programming** – Adjust powder flow in 5% increments and water temperature from 80°F to 200°F to create the perfect hot or cold beverage for your operation.
- **Direct Drive Mixing Augers** – Ensure smooth high-speed blending of powdered drinks.
- **High Velocity Whipping Motors** – Sloped whipping motors ensure smooth, high-speed blending of powdered drinks.
- **Fixed-Flow Water System** – Ensures precise drink blending regardless of irregularities in water pressure/volume.

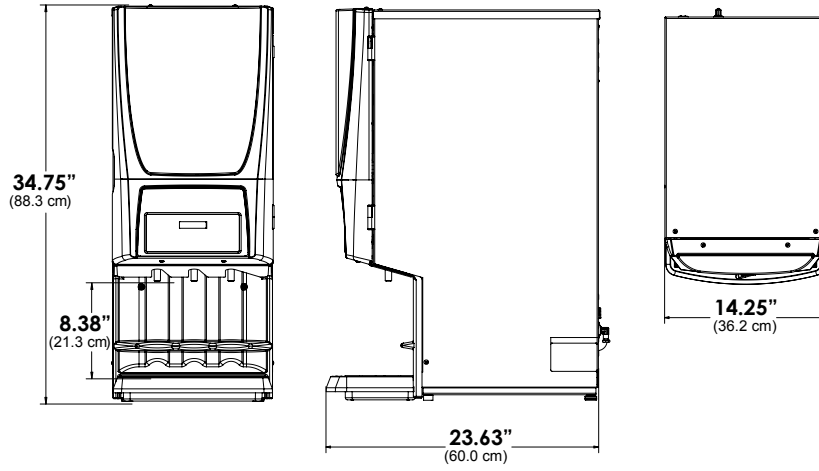
## Curtis Primo Cappuccino. Rich in Design. Rich in Features. Rich in Profits.

The first thing you'll notice about the Primo Cappuccino is its smooth Euro-Styled lines and cup locator guides. Built right into the oversized alcove, the guides ensure proper alignment with the dispensing nozzle while the increased cup clearance accommodates the most popular cup sizes. The PCGT captures attention from the moment your customers walk in... stimulating more impulse sales.

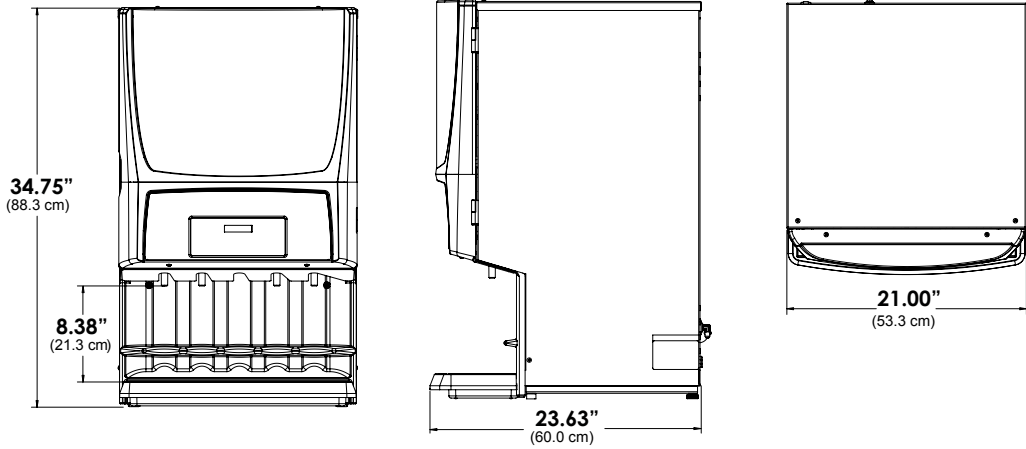
Curtis has incorporated the industry's most advanced digital technology – G3 – into the Primo Cappuccino Machine. It's this G3 technology that dramatically simplifies use, minimizes maintenance costs and increases profitability.



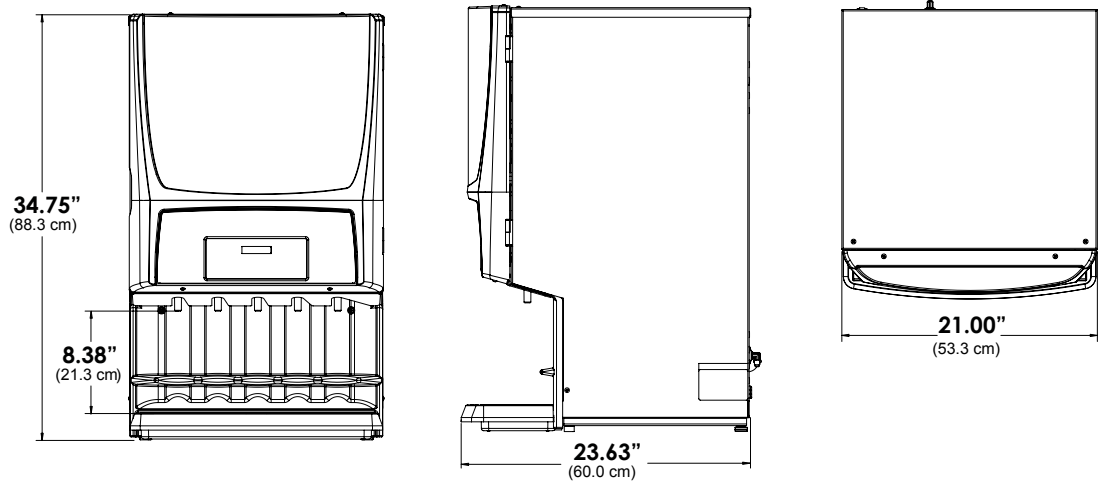
**PCGT3**  
3 Station Dispenser

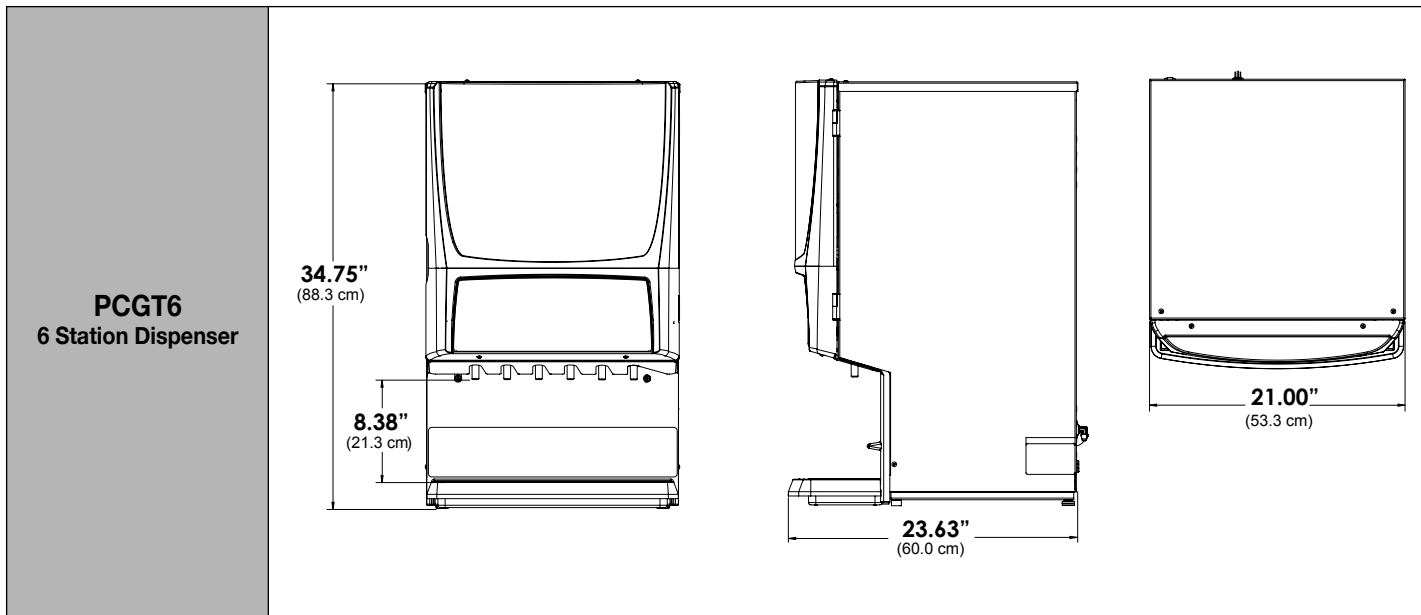


**PCGT4**  
4 Station Dispenser



**PCGT5**  
5 Station Dispenser





## Electrical Supply Requirements

MODEL #	DESCRIPTION	PHASE	VOLTS	AMPS	FLOW RATE	WIRE	WATTS	HERTZ	GAL/HR
PCGT3	3 Station Dispenser (One 5 lb and Two 10 lb Hoppers)	1 PH	120V	15.0A	0.8 oz/sec	2W+G	1800W	50/60 Hz	5.4
PCGT3DV	3 Station Dispenser Dual Voltage (One 5 lb and Two 10 lb Hoppers)	1 PH	110/220V	15.0A/14.5A	0.8 oz/sec	2/3W+G	1800/3000W	50/60 Hz	5.4/10.7
PCGT3300	3 Station Dispenser with Lift Door (One 5 lb and Two 10 lb Hoppers)	1 PH	120V	15.0A	0.8 oz/sec	2W+G	1800W	50/60 Hz	5.4
PCGT3700	3 Station Pre-Set Dispense (One 5 lb and Two 10 lb Hoppers)	1 PH	120V	15.0A	0.8 oz/sec	2W+G	1800W	50/60 Hz	5.4
PCGT3800	3 Station with Hot Water Faucet (One 5 lb and Two 10 lb Hoppers)	1 PH	120V	15.0A	0.8 oz/sec	2W+G	1800W	50/60 Hz	5.4
PCGT4	4 Station Dispenser (Two 5 lb and Two 10 lb Hoppers)	1 PH	120V	15.0A	0.8 oz/sec	2W+G	1800W	50/60 Hz	5.4
PCGT4300	4 Station Dispenser with Lift Door (One 5 lb and Two 10 lb Hoppers)	1 PH	120V	15.0A	0.8 oz/sec	2W+G	1800W	50/60 Hz	5.4
PCGT5	5 Station Dispenser (Three 5 lb and Two 10 lb Hoppers)	1 PH	120V	15.0A	0.8 oz/sec	2W+G	1800W	50/60 Hz	5.4
PCGT5DV	5 Station Dispenser Dual Voltage (Three 5 lb and Two 10 lb Hoppers)	1 PH	120/220V	15.0A/14.5A	0.8 oz/sec	2/3W+G	1800/3000W	50/60 Hz	5.4/10.7
PCGT5300	5 Station Dispenser with Lift Door (Three 5 lb and Two 10 lb Hoppers)	1 PH	120V	15.0A	0.8 oz/sec	2W+G	1800W	50/60 Hz	5.4
PCGT5800	5 Station with Hot Water Faucet (Three 5 lb and Two 10 lb Hoppers)	1 PH	120V	15.0A	0.8 oz/sec	2W+G	1800W	50/60 Hz	5.4
PCGT6	6 Station Dispenser (Two 3 lb, Three 5 lb and One 10 lb Hopper)	1 PH	120V	15.0A	0.8 oz/sec	2W+G	1800W	50/60 Hz	5.4
PCGT6300	6 Station with Lift Door (Two 3 lb, Three 5 lb and One 10 lb Hopper)	1 PH	120V	15.0A	0.8 oz/sec	2W+G	1800W	50/60 Hz	5.4

## Dimensions

MODEL #	HEIGHT	WIDTH	DEPTH	SHIP WEIGHT	SHIP CUBE
PCGT3	34.75"	14.25"	23.63"	125.0 lbs.	21.65 cu. ft.
PCGT3DV	34.75"	14.25"	23.63"	125.0 lbs.	21.65 cu. ft.
PCGT3300	34.75"	14.25"	23.63"	125.0 lbs.	21.65 cu. ft.
PCGT3700	34.75"	14.25"	23.63"	125.0 lbs.	21.65 cu. ft.
PCGT3800	34.75"	14.25"	23.63"	125.0 lbs.	21.65 cu. ft.
PCGT3900	34.75"	14.25"	23.63"	125.0 lbs.	21.65 cu. ft.
PCGT4	34.75"	21.00"	23.63"	147.0 lbs.	22.92 cu. ft.
PCGT4300	34.75"	21.00"	23.63"	147.0 lbs.	22.92 cu. ft.
PCGT5	34.75"	21.00"	23.63"	160.0 lbs.	22.92 cu. ft.
PCGT5DV	34.75"	21.00"	23.63"	145.0 lbs.	22.92 cu. ft.
PCGT5300	34.75"	21.00"	23.63"	160.0 lbs.	22.92 cu. ft.
PCGT5800	34.50"	21.00"	23.63"	160.0 lbs.	22.92 cu. ft.
PCGT6	34.75"	21.00"	23.63"	160.0 lbs.	22.92 cu. ft.
PCGT6300	34.75"	21.00"	23.63"	160.0 lbs.	22.92 cu. ft.

## Water Supply Requirements

WATER CONNECT	WATER PRESSURE	MIN. FLOW RATE	WATER TANK VOL.
1/4" Flare	20 - 90 psi	1.0 GPM	5.3 Gal.

*SPECIFICATIONS SUBJECT TO CHANGE WITHOUT NOTICE*



**WILBUR CURTIS CO., INC.**  
6913 Acco Street, Montebello, CA 90640-5403  
Telephone: 800-421-6150 · 323-837-2300  
Fax: 323-837-2406  
[www.wilburcurtis.com](http://www.wilburcurtis.com)